

JSP – 240

HEAVY DUTY FOR SERVICE ENTRANCE APPLICATIONS



FEATURES AND BENEFITS

- Listed to UL 1449 3rd Edition for a Type 1 and Type 2 SPD application.
- Fail-safe design with individually fused Metal Oxide Varistors (MOVs) eliminating single point failure, protecting against both overcurrent and overvoltage events.
- 200kAIC short circuit rating permits direct bus connection to most electrical services.
- Low let through voltage ensured by the lowest possible impedance path to ground and equal current sharing during surge events.
- All weather sealed, powder-coated NEMA 4/IP65 housing is designed for any orientation and indoor/outdoor applications.
- 10-year standard warranty with optional 15-year extended warranty.

AVAILABLE CONFIGURATIONS

| Model Number | Voltage | Configuration |
|--------------|----------|-----------------------------------|
| JSP240-1P120 | 120V | 1-Phase, 2-Wire + Ground |
| JSP240-1P240 | 240V | 1-Phase, 2-Wire + Ground |
| JSP240-1S240 | 120/240V | 2-Phase, 3-Wire + Ground |
| JSP240-3Y208 | 120/208V | 3-Phase Wye, 4-Wire + Ground |
| JSP240-3Y380 | 220/380V | 3-Phase Wye, 4-Wire + Ground |
| JSP240-3Y415 | 240/415V | 3-Phase Wye, 4-Wire + Ground |
| JSP240-3Y480 | 277/480V | 3-Phase Wye, 4-Wire + Ground |
| JSP240-3Y600 | 347/600V | 3-Phase Wye, 4-Wire + Ground |
| JSP240-3H240 | 120/240V | 3-Phase High-Leg, 4-Wire + Ground |
| JSP240-3D240 | 240V | 3-Phase Delta, 3-Wire + Ground |
| JSP240-3D380 | 380V | 3-Phase Delta, 3-Wire + Ground |
| JSP240-3D480 | 480V | 3-Phase Delta, 3-Wire + Ground |
| JSP240-3D600 | 600V | 3-Phase Delta, 3-Wire + Ground |

Units suitable for TT and IT grounded power systems available upon request. Consult factory for model number.

Warranty

10-years (Optional 15-years)

Available Options

| | |
|---------------------------|--------------------------------|
| Surge Counter | Add suffix -B |
| Transient Filter | Add suffix -F (Meets UL 1283*) |
| Stainless Steel Enclosure | Add suffix -S |

*Not recommended when using telecommunication rectifiers.

EMI/RFI Filter Attenuation

| | |
|----------------------------|---------------|
| Max. Attenuation Frequency | 41dB @ 106kHz |
|----------------------------|---------------|

PRODUCT SPECIFICATIONS

Electrical

| | |
|--|--|
| Maximum Surge Current Rating | 240kA per phase, 120kA per mode |
| Nominal Discharge Current Rating (I-n) | 20kA |
| Operating Frequency | 47–63Hz |
| Connection Method | Parallel to electrical distribution system |
| Modes of Protection | All Modes (L-N, L-G, N-G, L-L) |
| Fault Rating (SCCR) | 200kAIC – no upstream over-current protection device (breaker or fuse) required |
| Response Time | Less than 1 nanosecond |
| Standard Monitoring | Status indicator lights (one per phase) Standard Dry (From C) Relay Contacts Audible Alarm with Silence Button |

Mechanical

| | |
|-----------------------|--|
| Weight | 40 lbs. (9 kg) |
| Enclosure Type | Powder coated, impact-resistance steel, weather-proof NEMA 4 |
| Installation Location | Indoor / Outdoor |
| Mounting Method | Dual mounting flanges |
| Operating Environment | -40° to +185°F (-40° to +70°C) |
| Altitude | Up to 13,000 ft. (4000 m) |
| Product Design | Parallel design with individually fused MOVs |

Regulatory

| | |
|---------------------------|--------|
| UL 1449 3rd Edition Type | Type 1 |
| UL 1283 | Yes |
| IEEE C62.41.1, .2, C62.45 | Yes |
| Listed By | UL |
| CE | Yes |

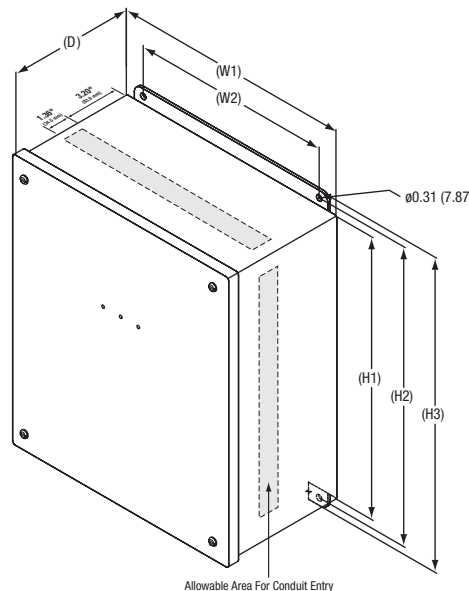
SURGE PROTECTIVE DEVICES

JSP 240 PERFORMANCE DATA

ANSI/IEEE C62.41.1-2002, C62.41.2-2002, & C62.45-2002 Measured Limiting Voltage

| Model Number | Voltage Configuration | Protection Mode | MCOV | ANSI/IEEE C62.41.1-2002, C62.41.2-2002, & C62.45-2002 Measured Limiting Voltage | | | |
|--------------|-----------------------|-----------------|------|---|---------------------------|--------------------------|----------------------------------|
| | | | | B3 Ring Wave 6kV, 500A | B3/C1 Combo Wave 6kV, 3kA | C3 Combo Wave 20kV, 10kA | UL 1449 3rd Edition 6kV, 3kA VPR |
| JSP240-1P120 | 1P120 | L-N | 150V | 464V | 502V | 907V | 800V |
| | | L-G | 150V | 672V | 627V | 1173V | 800V |
| | | N-G | 150V | 512V | 568V | 1090V | 800V |
| JSP240-1P240 | 1P240 | L-N | 320V | 427V | 828V | 1170V | 1200V |
| | | L-G | 320V | 944V | 996V | 1540V | 1200V |
| | | N-G | 320V | 848V | 899V | 1500V | 1200V |
| JSP240-1S240 | 1S240 | L-N | 150V | 464V | 502V | 907V | 800V |
| | | L-G | 150V | 672V | 627V | 1173V | 800V |
| | | L-L | 300V | 576V | 864V | 1267V | 1200V |
| JSP240-3Y208 | 3Y208 | N-G | 150V | 512V | 568V | 1090V | 800V |
| | | L-N | 150V | 464V | 502V | 907V | 800V |
| | | L-G | 150V | 672V | 627V | 1173V | 800V |
| JSP240-3Y380 | 3Y380 | L-L | 300V | 576V | 864V | 1267V | 1200V |
| | | N-G | 150V | 512V | 568V | 1090V | 800V |
| | | L-N | 320V | 427V | 828V | 1170V | 1200V |
| JSP240-3Y415 | 3Y415 | L-G | 320V | 944V | 996V | 1540V | 1200V |
| | | L-L | 640V | 555V | 1497V | 1950V | 1800V |
| | | N-G | 320V | 848V | 899V | 1500V | 1200V |
| JSP240-3Y480 | 3Y480 | L-N | 320V | 427V | 828V | 1170V | 1200V |
| | | L-G | 320V | 944V | 996V | 1540V | 1200V |
| | | L-L | 640V | 555V | 1497V | 1950V | 1800V |
| JSP240-3Y600 | 3Y600 | N-G | 320V | 848V | 899V | 1500V | 1200V |
| | | L-N | 420V | 715V | 1250V | 1910V | 1500V |
| | | L-G | 420V | 829V | 1340V | 1960V | 1500V |
| JSP240-3H240 | 3H240 | L-L | 840V | 1130V | 2300V | 2910V | 2500V |
| | | N-G | 420V | 670V | 1230V | 1880V | 1500V |
| | | L-N | 150V | 464V | 502V | 907V | 800V |
| JSP240-3D240 | 3D240 | H-N | 320V | 427V | 828V | 1170V | 1200V |
| | | L-G | 150V | 672V | 627V | 1173V | 800V |
| | | H-G | 320V | 944V | 996V | 1540V | 1200V |
| JSP240-3D380 | 3D380 | L-L | 320V | 576V | 864V | 1267V | 1200V |
| | | H-L | 470V | 980V | 1250V | 1640V | 1500V |
| | | N-G | 150V | 512V | 568V | 1090V | 800V |
| JSP240-3D480 | 3D480 | L-G | 320V | 750V | 940V | 1650V | 1200V |
| | | L-L | 320V | 630V | 1020V | 1680V | 1200V |
| | | L-G | 550V | 1050V | 1450V | 2160V | 1800V |
| JSP240-3D600 | 3D600 | L-L | 550V | 860V | 1670V | 2470V | 1800V |
| | | L-G | 750V | 1245V | 1960V | 2760V | 2500V |
| | | N-G | 750V | 1060V | 2260V | 2960V | 2500V |

All JSP™ systems measured limited voltages are peak values (±10%) measured from the zero reference point and are in compliance with test and evaluation procedures outlined in NEMA LS1-1992 (2000), paragraphs 2.210 and 3.10.



DIMENSIONS

| Dim | Inches (mm) |
|-----|---------------|
| H1 | 14.00 (355.6) |
| H2 | 14.75 (374.7) |
| H3 | 15.50 (393.7) |
| W1 | 12.00 (304.8) |
| W2 | 10.00 (254.0) |
| D | 6.20 (157.5) |





Energía Verde RMS

Ahorra y contribuye con tu ambiente [®]

General Miguel Barragán #814
Aguascalientes, Ags.
01 (449) 145 2028
energiaverderms.com.mx